

Family Datasheet

AEP Series A

Covering:

Hardware Edition [Click Here](#)

Virtual Edition [Click Here](#)

Load Balancer [Click Here](#)

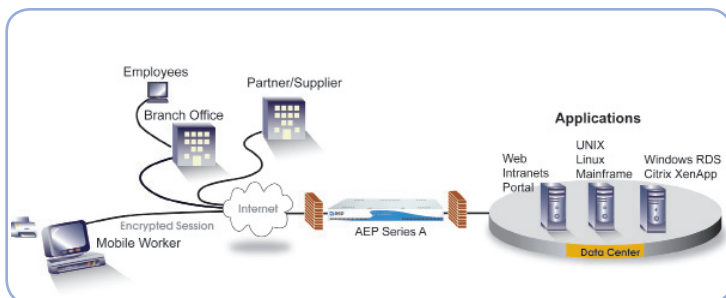
AEP's Series A Secure Application Access delivers outstanding performance to thousands of users enabling secure access to any business application in a fully protected environment. Identity-based application access and extensive endpoint security ensures thoroughly validated users only see what they are authorized to see.

Benefits

- Access, security, authentication and policy all provided within a single platform lowering cost of ownership.
- Extensive endpoint security assures compliance with corporate policy, before allowing access
- Application servers stay deep in the datacenter minimizing security risks and patch management
- Seamless connectivity with authentication and policy servers already in use
- Quick installation with no infrastructure changes required
- Icon-driven user interface eliminates end-user retraining

Security Features

- Identity-based deployment of authorized applications through an icon-driven webtop
- Set access limits and quarantine users based on endpoint security scan
- Application Layer Proxy protection: Shields your network resources from public exposure
- Endpoint Security solution eliminates threats of data leakage
- Device "fingerprinting" with Client Machine Identification (CMID) authorizes only pre-approved PCs
- Configurable session timeouts and periodic re-authentication
- Certified solution: CCTM; FIPS 140-2 Level 4 option
- Reporting and logging helps meet regulatory compliance



Web Applications and Portals

- Secure access to any Web application, intranet, or portal.
- Application-layer proxy hides network topology.
- Granular access controls to URLs, applications, and data.
- Web application security: Protects against cookie snooping, denial of service & network access attacks, authentication hijacking, DMZ protocol attacks, and more.

Terminal Server-Based Applications

- Identity-driven, web-based access to Citrix, Microsoft® Windows Terminal Servers, UNIX/Linux & Mainframes.
- Drive mapping for seamless interactivity with local & remote data.
- Universal printing option (Windows RDS). No client requirements.
- Session persistence for workflow continuity
- High color for medical and graphic-intensive applications.
- On-demand Microsoft Windows Terminal Server (RDP) and Citrix ICA (Native, ActiveX, Java) client delivery.
- Application server load balancing (Windows RDS).

MyDesktop Client Desktop Access

- Secure, seamless remote access to individual users' PCs via auto-created access control lists (ACLs)
- Easy to set up: Create one application type that serves all users

Client/Server Applications

- Network adapter for Layer 3 tunnel connectivity
- Security (encryption) for VoIP applications
- Application adapter for Layer 4-7 connectivity
- On-demand, automatic adapter installation
- Tool Tray and/or local client launchable
- No end user configuration or installation
- Granular policy enforcement

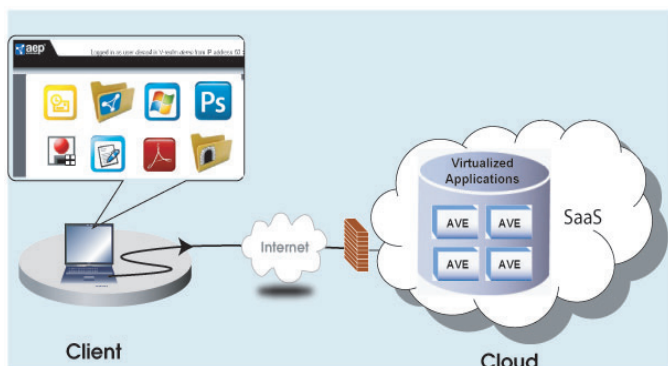
When virtualizing your data center, simply run the Series A virtual appliance within your existing assets, maximizing utilization. Easily deliver secure, virtual, remote access to your customers over any network from any device. Deploy as many Series A virtual machines as needed for user access Scalability and for Disaster Recovery. Go green and grow securely with Series A.

- ▶ **Instant Savings.** No need to purchase more hardware and you save on power and cooling costs as well as rack space. A virtual gateway solution from AEP is the new, green way for providing your customers with secure and fully featured enterprise and government remote access.
- ▶ **Scale Quickly.** Spin up as many Series A virtual machines as needed and immediately meet your growth demands without costly and time-consuming hardware deployments.
- ▶ **Highly Secure.** Two-factor authentication, comprehensive endpoint security, role-based application delivery, and much more are available with each user license.

Securing Client Access to the Cloud

An often neglected part of the cloud is the client side. Encrypted communications, strong authentication and client health checks are just a few of the many measures Series A takes to safeguard the network.

And, traditionally, cloud clients are desktop computers or "thick clients". Why invest money in optimising the data center yet continue to run fat clients? With Series A, companies can continue to use their thick clients and plan a phased migration to thin clients such as Wyse terminals.



Ideal for Enterprise Accounts

- Prepackaged virtual appliance streamlines installations for virtual servers such as VMware ESX/ESXi, giving you a custom fit for your environment.
- Deploy as many virtual machines as needed.
- Scalable and disaster proof: Install multiple instances as individually addressable appliances or cluster them together with a Series A Load Balancer virtual solution for unrivalled scale and redundancy, even across geographically distant areas.
- Detailed user activity reporting (username, IP address, applications accesses, successful/failed logins and more).

Key Features

- **Seamless Authentication:** Plugs into your existing authentication infrastructure, with support for Active Directory, Novell NDS, LDAP, Open Directory, RADIUS, RSA SecurID, VASCO, PKI and HSPD-12.
- **Deep application support:** Terminal Services, VDI, Citrix, Web-based applications, SharePoint, Exchange, ANY TCP-based application, SSL Tunnel capability.
- **Client Machine "Fingerprinting":** Ensure only PCs issued by the organization have access to specific resources. Access is restricted in the event of unauthorized machine modification.
- **Client Host Integrity:** Ensure client devices maintain corporate standard anti-virus, firewall and other requirements prior to access.
- **High Availability/Load Balancing:** Scale your infrastructure and ensure access uptime in one or many geographically disbursed data centers.

Why Series A?

- **Management:** Web based management, no complex CLI to learn.
- **Access:** Unparalleled access control and easy integration.
- **Certification:** ICSA v3 and CCTM certified, FIPS 140-2 Level 4 option available.
- **Security:** Unmatched security granularity, control applications access by realm, group or user.



Bring scalability and high availability to AEP Series A Secure Application Delivery appliances with the AEP Series A Load Balancer (LB). The Series A LB integrates seamlessly into your network infrastructure, bringing reliability and higher performance to your application access environment.

Geographical Diversity. High availability and reliability among clusters located in geographically distant sites.

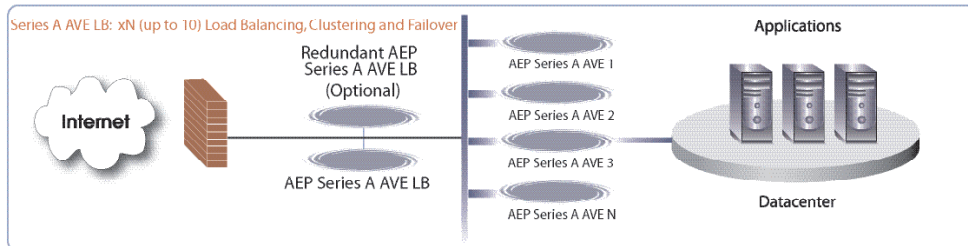
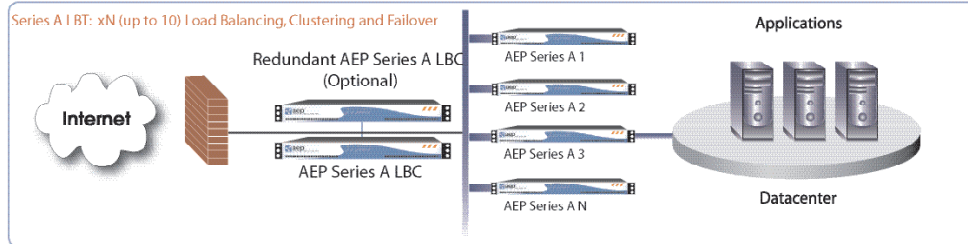
Virtual Edition. Series A LB is available as a virtual appliance enabling you to spin up projects quickly within your VMware-based environment to meet growth demands whether planned or unexpected. Hardware models are also available.

User License Sharing. Series A user licenses are shared among units within the clusters. No other license types or cost required.

Features	Benefits
▶ Robust load balancing and traffic distribution among AEP Series A appliances	▶ Greater scale and performance: Extend your application infrastructure to thousands of users
▶ High availability and hardware failover of Series A appliances across local cluster or geographically diverse data centers	▶ Ensures 24x7 continuity of operations; helps meet disaster planning initiatives
▶ Redundancy option for Series A Load Balancer appliances (via backup Load Balancer appliance)	▶ Total confidence in your load balancing availability
▶ Installs quickly and seamlessly	▶ No impact on existing network infrastructure
▶ License sharing among unit(s) within cluster	▶ Continuity of operations, even during potential hardware failure
▶ Web-based administration console	▶ Quick setup and configuration delivers ease of deployment and management
▶ Supports ALL Series A application access services	▶ Complete solution for your Series A environment
▶ Activity monitoring and historical reporting via Web-based console and SNMP	▶ Plan for future capacity requirements and isolate potential faults
▶ Choose from virtual or hardware Series A Load Balancer appliances	▶ Choose the model type best suited for your network

Single Site Load Balancing

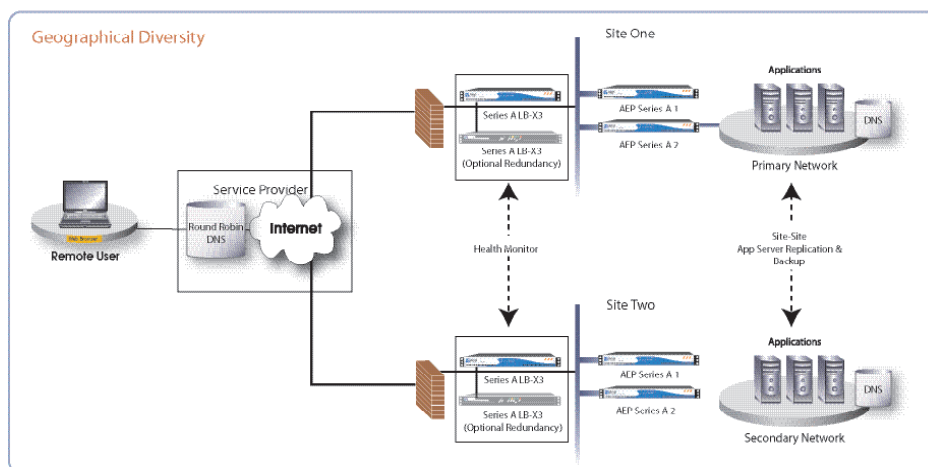
Single Site Load Balancing



Geographical Load Balancing for Scale, High Availability and Disaster Planning

The Series A Load Balancer helps satisfy Disaster Recovery (DR) and business continuity requirements through the transparent delivery of application services and resources across Series A clusters in physically disparate data centers. Should one location become unavailable – or even begin to exhibit performance degradation - the Series A Load Balancer will automatically redirect new users to an alternate Series A cluster, providing seamless continuity in the case of emergency.

The Series A Load Balancer thus delivers a vital lifeline between remote workers and key application resources – seamlessly and without interruption– allowing organizations to meet any crisis with confidence.



United States

Toll-Free: +1-877-638-4552
 Tel: +1-732-652-5200

Europe

Tel: +44 1344 637 300

Greater China

Tel: +8621 5116 7120

SE Asia, Singapore

Tel: +852 2961 4566

Australia/New Zealand

Tel: +61 2 9413 2282

Japan:

Tel: +8180 5645 4503

Malaysia:

Tel: +60 32166 2260

Email: sales@aepnetworks.com Web: www.aepnetworks.com